

# Kit Easy-Touch - Fixed magnets wood-wood



**Description**

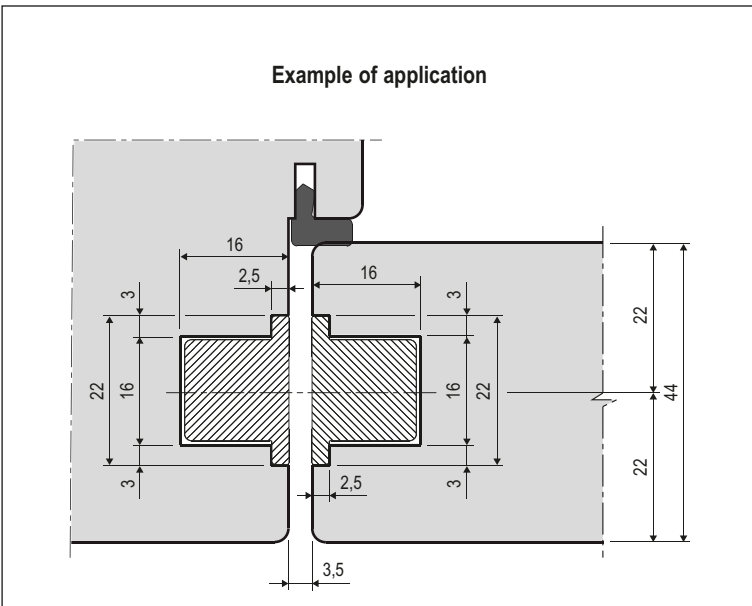
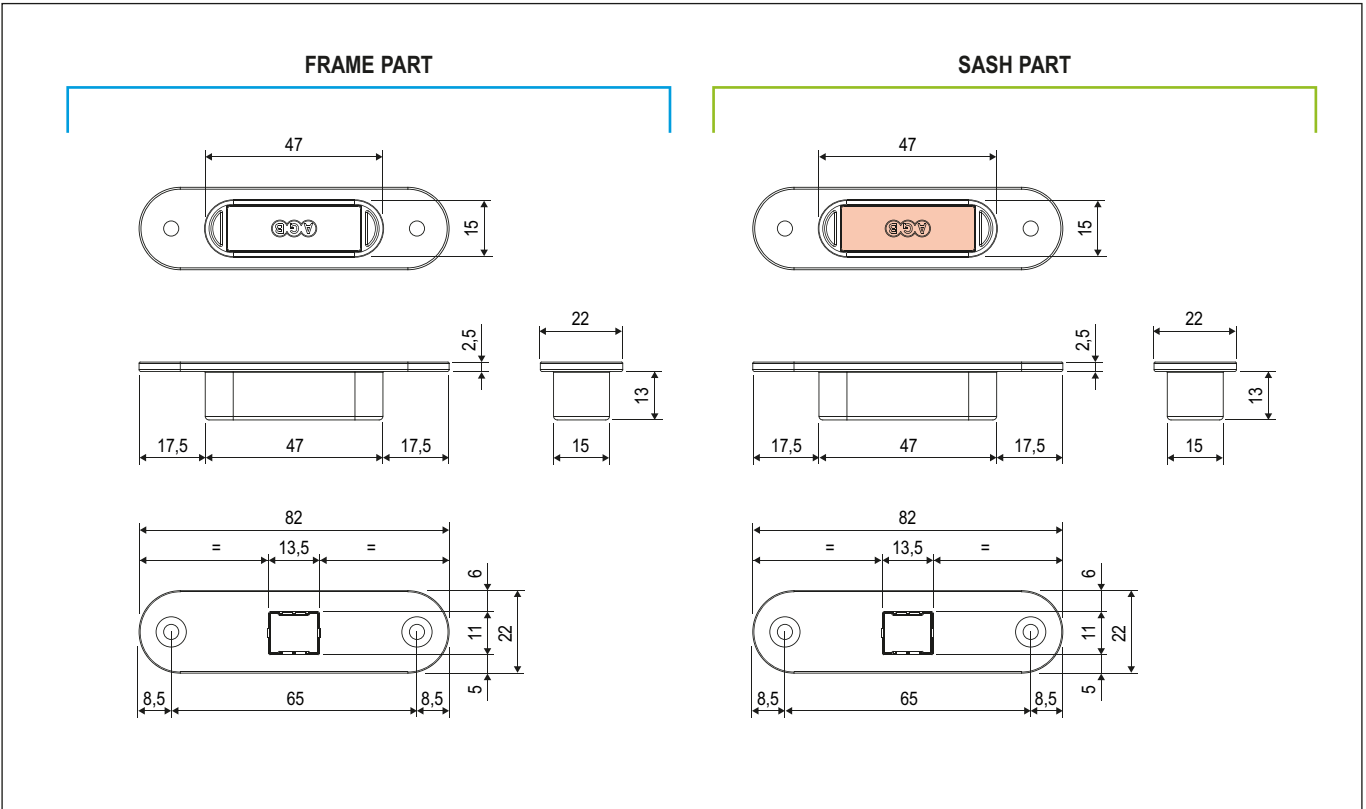
Kit with two Easy-Touch strikers in plastic material with round edges, one of them has a red cover to identify the reverse polarity. Easy-Touch is completely interchangeable with Easy-Matic and Easy-Fix strikers with 22 mm width and 2,2, mm thickness.

**Use**

To be used with fixed magnets. In this case, they can be installed in different positions and hidden. If necessary, they can be installed in more magnet couples.

**Fastening**

Striker fastening with two screws 3,5x20 mm.



**Order Specifications**

Article
B02404.36.XX

**Note.** Refer to the price list in force to check the availability of the finishes.