

# Alu-Touch - Striker for aluminium frame



**Description**

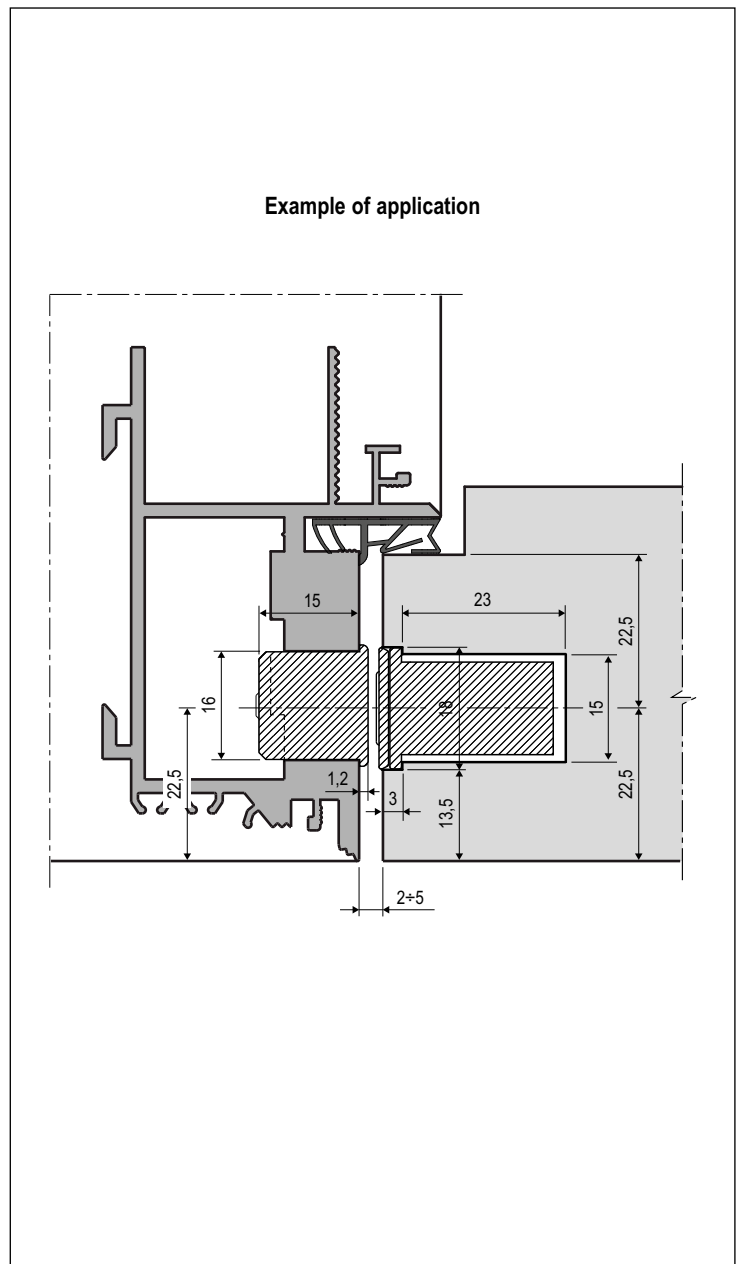
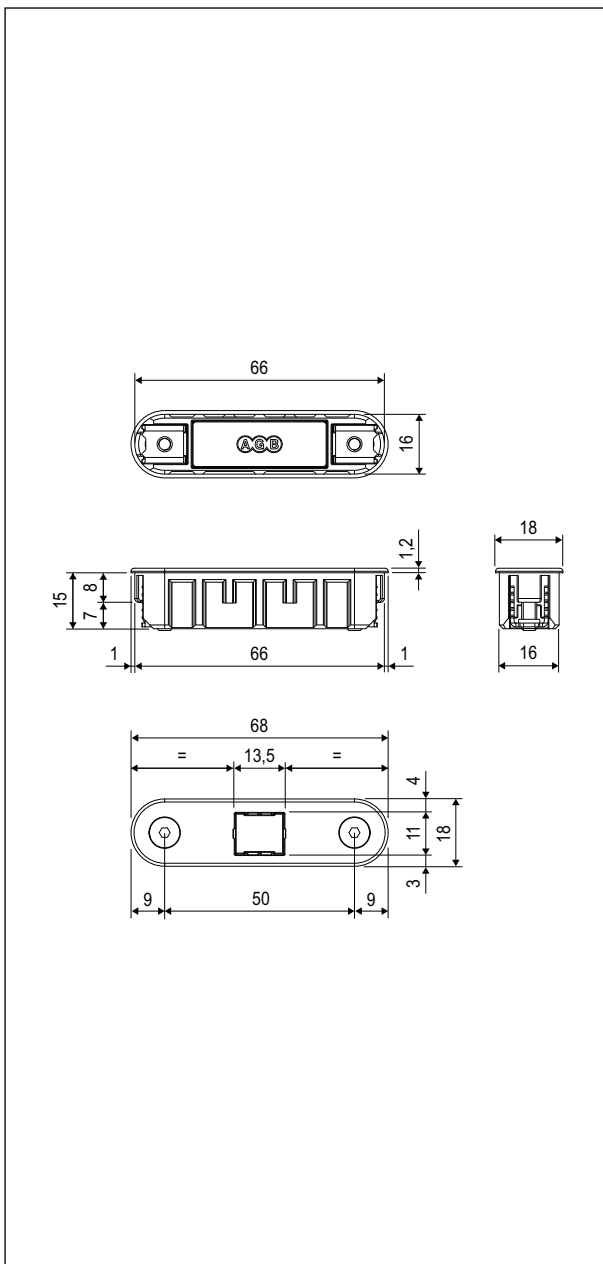
Magnetic striker in plastic material with round edges and patented fastening system. Alu-Touch is compatible with the milling of the Alutop XT striker.

**Use**

To be coupled with Touch installing it on the frame as indicated in the picture.

**Fastening**

Expansion fastening by using the 2,5 mm allen key.



**Order Specifications**

Article	
B02404.30.XX	

**Note.** Refer to the price list in force to check the availability of the finishes.